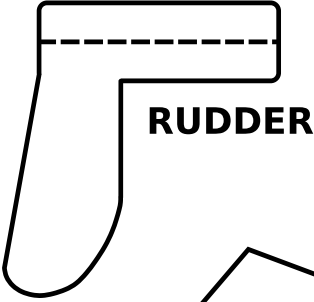
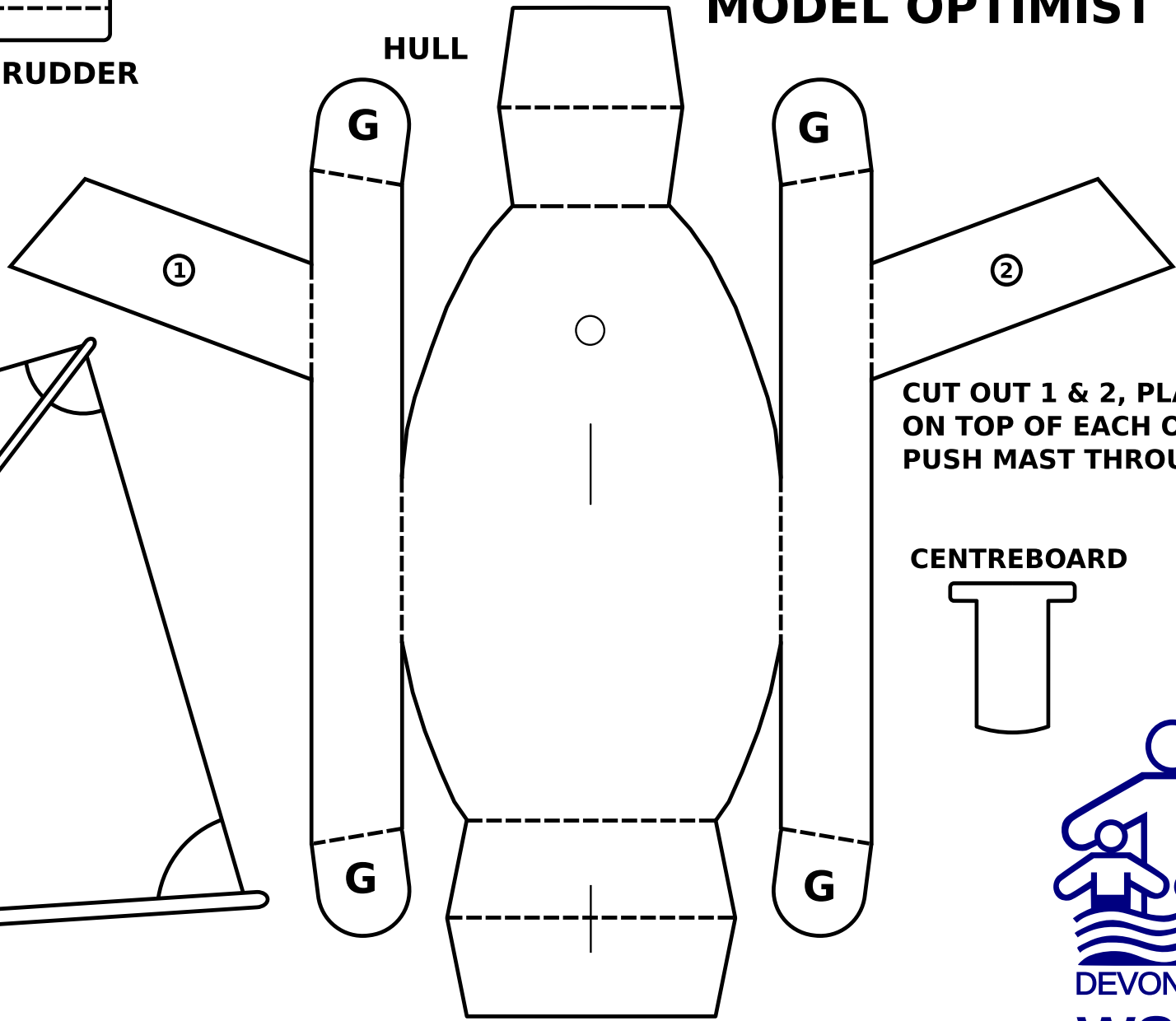


MODEL OPTIMIST YACHT

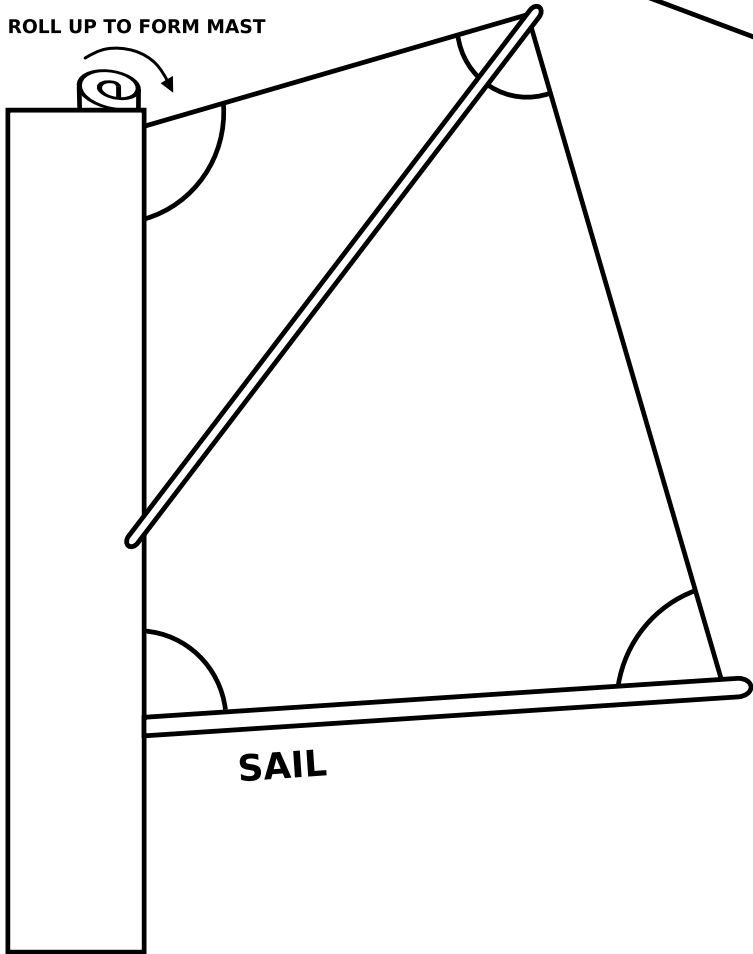
— CUT LINE
- - - FOLD LINE
G AREA TO BE GLUED OR TAPED



HULL



ROLL UP TO FORM MAST



CUT OUT 1 & 2, PLACE ON TOP OF EACH OTHER, PUSH MAST THROUGH HOLES

CENTREBOARD

